



CORDLESS COMPACT AIR COMPRESSOR

115 PSI MAX | 40 V MAX* | RECHARGEABLE | 1/3 HP

OPERATOR'S MANUAL

A Division of Snow Joe®, LLC

Model iONAIR-RM

Form No. SJ-iONAIR-RM-880E-M-V1

THANKS FOR YOUR PURCHASE OF A REMANUFACTURED PRODUCT.

To make sure you get the most out of your product, be sure to register online at

sunjoe.com

to enjoy full product support.

PASTE UPC LABEL HERE



CORDLESS COMPACT AIR COMPRESSOR

115 PSI MAX | 40 V MAX* | RECHARGEABLE | 1/3 HP

OPERATOR'S MANUAL

A Division of Snow Joe®, LLC

Model iONAIR-RM

Form No. SJ-iONAIR-RM-880E-M-V1

IMPORTANT! Safety Instructions

All Operators Must Read These Instructions Before Use

Read all the instructions contained in this manual. Keep this manual in a safe place, so that the information is available at all times. If you give the equipment to another person, make sure to provide these operating instructions. Basic safety precautions should always be followed to reduce the risk of fire, electric shock, and personal injury.

⚠ DANGER! This indicates a hazardous situation, which, if not followed, will result in serious injury or death.

⚠ WARNING! This indicates a hazardous situation, which, if not followed, could result in serious injury or death.

⚠ CAUTION! This indicates a hazardous situation, which, if not followed, could result in minor or moderate injury.

Improper use of the machine will invalidate the warranty, relieve the manufacturer from all liabilities. The user will consequently be liable for all and any damage or injury to himself/herself or others.

General Safety

FOR HOUSEHOLD USE ONLY

⚠ DANGER! Failure to following all the warnings and instructions may result in electric shock, fire, and/or serious injury.

⚠ WARNING! The warnings, precautions and instructions discussed in this manual may not cover all possible conditions and situations that may occur. It must be understood by the operators that common senses and cautions are factors which cannot be built into this product, but must be supplied by the operator.

1. **Keep work area clean and well-lit** – Cluttered, dark areas invite accidents.
2. **Replacement parts** – When servicing this unit, use only identical replacement parts.

3. **Keep children, bystanders, and pets away** – All spectators, including pets, should be kept a safe distance away from the work area.
4. **Do not use the compressor if the switch doesn't turn it on or off** – any electric appliance that cannot be controlled with the ON/OFF switch is dangerous and must be repaired.
5. **Do not force the tool** – It will perform better with less likelihood of personal or mechanical injury if it is used at the rate for which it is designed.
6. **Wear personal protective equipment** – When using this tool, wear safety glasses with side shields or goggles to provide necessary eye protection. Wear ear defenders to prevent hearing damage.
7. **Remove the battery** – Remove the battery when the tool is not in use, before servicing it, when changing accessories, and when performing any other maintenance task.
8. **Store idle tool indoors** – When not in use, the air compressor should be stored indoors in a dry and high or locked-up place out of the reach of children.
9. **Maintain the air compressor with care** – Keep the air compressor clean for optimal performance and to reduce the risk of injury. Follow instructions for lubricating and changing accessories. Keep dry, clean and free from oil and grease. Check for misalignment or binding for moving parts, breakage of parts and any other conditions that may affect the compressor's operation. If damaged, have the compressor repaired before use.
10. **Use the right tool** – Do not use the air compressor for any job except that for which it is intended.
11. **Avoid dangerous environments** – Do not use the air compressor in explosive atmospheres, such as in the presence of flammable liquids, gases, and dust. The compressor's motor may generate sparks and ignite the dust and fumes.
12. **Do not expose the air compressor to rain or wet conditions** – Water entering the air compressor will increase the risk of electric shock.
13. **Stay alert** – Watch what you are doing. Use common sense. Do not operate the air compressor when you are tired or under the influence of drugs, alcohol, or other medication.
14. **Avoid unintentional starting** – Ensure that the switch is in the OFF position before inserting the battery or transporting the unit.

15. Use the air compressor in accordance with these instructions, considering the working conditions and the work to be performed.
16. Have your air compressor serviced by a qualified repair person using only original manufacturer's replacement parts, accessories and attachments.

Specific Safety Rules For Air Compressor

- Risk of fire or explosion – Do not spray flammable liquids in a confined area or towards hot surfaces. Spray areas must be well-ventilated. Do not smoke while spraying or spray where spark or flame is present. Keep the air compressor at least 20 ft away from explosive vapors, such as when spraying with a spray gun.
- Risk of bursting – Do not adjust the regulator knob higher than marked max. pressure of the attachment. Tilt the tank to drain.
- Risk of injury – Do not direct the air stream at people or animals.
- Do not use to supply breathing air.
- Do not leave the air compressor unattended for an extended period of time with the battery inserted in.
- Keep the compressor well-ventilated. Do not cover while using.
- Drain tank daily and after use. Internal rust can cause tank failure and explosion.
- Do not use the air hose to drag the compressor.
- Release the pressure in the air tank before moving.
- The use of attachments and accessories that do not meet the manufacturer's requirements may cause risk of personal injury.
- This air compressor is intended for residential use only. Commercial use of this product is prohibited and will void the manufacturer's warranty.
- Always grasp the handle when transporting the unit. Only operate the machine in its intended orientation.

Battery & Charger Safety Instructions

We pay a great deal of attention to the design of every battery pack to ensure that we supply you with batteries that are safe, durable and have a high energy density. The battery cells have a wide range of safety devices. Each individual cell is initially formatted and its electrical characteristic curves are recorded. This data is then used exclusively to be able to assemble the best possible battery packs.

Despite all the safety precautions, caution must always be exercised when handling batteries. The following points must be obeyed at all times to ensure safe use. Safe use can only be guaranteed if undamaged cells are used. Incorrect handling of the battery pack can cause cell damage.

IMPORTANT! Analyses confirm that incorrect use and poor care of high-performance batteries are the main factors responsible for personal and/or product damage.

⚠️ WARNING! Use only approved replacement batteries; other batteries may damage the cordless air compressor and cause it to malfunction, which can lead to serious personal injury.

⚠️ CAUTION! To reduce the risk of injury, charge the iONMAX iBAT40 lithium-ion battery pack only in its designated lithium-ion charger, the iCHRG40. Other types of chargers present risk of fire, personal injury and damage. Do not wire a battery pack to a power supply plug or car cigarette lighter. Such misuse will permanently disable or damage the battery pack.

- **Avoid dangerous environments** – Do not charge the battery pack in rain, snow or in damp or wet locations. Do not use the battery pack or charger in the presence of explosive atmospheres (gaseous fumes, dust or flammable materials) because sparks may be generated when inserting or removing the battery pack, which could lead to a fire.
- **Charge in a well-ventilated area** – Do not block the charger vents. Keep them clear to allow for proper ventilation. Do not allow smoking or open flames near a charging battery pack. Vented gases may explode.

NOTE: The safe temperature range for the battery is -4°F (-20°C) to 113°F (45°C). Do not charge the battery outside in freezing weather; charge it at room temperature.
- **Maintain charger cord** – When unplugging the charger, pull the plug, not the cord, from the receptacle to reduce the risk of damage to the electrical plug and cord. Never carry the charger by its cord or yank it by the cord to disconnect it from the receptacle. Keep the cord away from heat, oil and sharp edges. Make sure the cord will not be stepped on, tripped over or subjected to damage or stress when the charger is in use. Do not use the charger with a damaged cord or plug. Replace a damaged charger immediately.
- **Do not use an extension cord unless it is absolutely necessary** – Using the wrong, damaged or improperly wired extension cord poses a risk of fire and electric shock. If an extension cord must be used, plug the charger into a properly wired 16 gauge or larger extension cord with the female plug matching the male plug on the charger. Make sure that the extension cord is in good electrical condition.
- **Charger iCHRG40 is rated for 120 volt AC only** – The charger must be plugged into an appropriate receptacle.

- **Use only recommended attachments** – Use of an attachment not recommended or sold by the battery charger or battery pack manufacturer may result in risk of fire, electric shock or personal injury.
- **Unplug charger when not in use** – Make sure to remove battery packs from unplugged chargers.

⚠ WARNING! To reduce the risk of electric shock, always unplug the charger before performing any cleaning or maintenance. Do not allow water to flow into the charger. Use a Ground Fault Circuit Interrupter (GFCI) to reduce shock hazards.

- **Do not burn or incinerate battery packs** – Battery packs may explode, causing personal injury or damage. Toxic fumes and materials are created when battery packs are burned.
- **Do not crush, drop or damage battery packs** – Do not use the battery pack or charger if they have sustained a sharp blow, been dropped, run over or have been damaged in any way (i.e. pierced with a nail, hit with a hammer, stepped on, etc.).
- **Do not disassemble** – Incorrect reassembly may pose a serious risk of electric shock, fire or exposure to toxic battery chemicals. If the battery or charger are damaged, contact an authorized Snow Joe® + Sun Joe® dealer or call the Snow Joe® + Sun Joe® customer service center at 1-866-SNOWJOE (1-866-766-9563) for assistance.
- **Battery chemicals cause serious burns** – Never let a damaged battery pack contact the skin, eyes or mouth. If a damaged battery pack leaks battery chemicals, use rubber or neoprene gloves to safely dispose of it. If skin is exposed to battery fluids, wash the affected area with soap and water and rinse with vinegar. If eyes are exposed to battery chemicals, immediately flush with water for 20 minutes and seek medical attention. Remove and dispose of contaminated clothing.
- **Do not short circuit** – A battery pack will short circuit if a metal object makes a connection between the positive and negative contacts on the battery pack. Do not place a battery pack near anything that may cause a short circuit, such as paper clips, coins, keys, screws, nails and other metallic objects. A short-circuited battery pack poses a risk of fire and severe personal injury.
- **Store your battery pack and charger in a cool, dry place** – Do not store the battery pack or charger where temperatures may exceed 104°F (40°C), such as in direct sunlight or inside a vehicle or metal building during the summer.

Information about the battery

1. The battery pack supplied with your cordless air compressor is only partially charged. The battery pack has to be charged completely before you use the tool for the first time.
2. For optimum battery performance, avoid low discharge cycles by charging the battery pack frequently.
3. Store the battery pack in a cool place, ideally at 59°F (15°C) and charged to at least 40%.
4. Lithium-ion batteries are subject to a natural aging process. The battery pack must be replaced at the latest when its capacity falls to just 80% of its capacity when new. Weakened cells in an aged battery pack are no longer capable of meeting the high power requirements needed for the proper operation of your air compressor, and therefore pose a safety risk.
5. Do not throw battery packs into an open fire as this poses a risk of explosion.
6. Do not ignite the battery pack or expose it to fire.
7. Do not exhaustively discharge batteries. Exhaustive discharge will damage the battery cells. The most common cause of exhaustive discharge is lengthy storage or non-use of partially discharged batteries. Stop working as soon as the performance of the battery falls noticeably or the electronic protection system triggers. Place the battery pack in storage only after it has been fully charged.
8. Protect batteries and the tool from overloads. Overloads will quickly result in overheating and cell damage inside the battery housing even if this overheating is not apparent externally.
9. Avoid damage and shocks. Immediately replace batteries that have been dropped from a height of more than one meter or those that have been exposed to violent shocks, even if the housing of the battery pack appears to be undamaged. The battery cells inside the battery may have suffered serious damage. In such instances, please read the waste disposal information for proper battery disposal.
10. If the battery pack suffers overloading and overheating, the integrated protective cutoff will switch off the equipment for safety reasons.
IMPORTANT! Do not press the ON/OFF switch any more if the protective cut-off has been activated. This may damage the battery pack.
11. Use only original battery packs. The use of other batteries poses a fire risk and may result in injuries or an explosion.

Information about the charger and the charging process











1. Please check the data marked on the rating plate of the battery charger. Be sure to connect the battery charger to a power supply with the voltage marked on the rating plate. Never connect it to a different mains voltage.
2. Protect the battery charger and its cord from damage. Keep the charger and its cord away from heat, oil and sharp edges. Have damaged cords repaired without delay by a qualified technician at an authorized Snow Joe® + Sun Joe® dealer or call the Snow Joe® + Sun Joe® customer service center at 1-866-SNOWJOE (1-866-766-9563).
3. Electrical plugs must match the outlet. Never modify the plug in any way. Do not use any adapter plugs with grounded appliances. Unmodified plugs and matching outlets will reduce the risk of electric shock.
4. Keep the battery charger, battery pack(s) and the cordless tool out of the reach of children.
5. Do not use the supplied battery charger to charge other cordless tools.
6. During periods of heavy use, the battery pack will become warm. Allow the battery pack to cool to room temperature before inserting it into the charger to recharge.
7. Do not overcharge batteries. Do not exceed the maximum charging times. These charging times only apply to discharged batteries. Frequent insertion of a charged or partially charged battery pack will result in overcharging and cell damage. Do not leave batteries in the charger for days on end.
8. Never use or charge batteries if you suspect that it has been more than 12 months since the last time they were charged. There is a high probability that the battery pack has already suffered dangerous damage (exhaustive discharge).
9. Charging batteries at a temperature below 50°F (10°C) will cause chemical damage to the cells and may cause a fire.
10. Do not use batteries that have been exposed to heat during the charging process, as the battery cells may have suffered dangerous damage.
11. Do not use batteries that have suffered curvature or deformation during the charging process or those that exhibit other atypical symptoms (gassing, hissing, cracking, etc.).
12. Never fully discharge the battery pack (maximum recommended depth of discharge is 80%). A complete discharge of the battery pack will lead to premature aging of the battery cells.

Protection from environmental influences

1. Wear suitable work clothes. Wear safety goggles.
2. Protect your cordless tool and the battery charger from moisture and rain. Moisture and rain can cause dangerous cell damage.
3. Do not use the cordless tool or the battery charger near vapors and flammable liquids.
4. Use the battery charger and cordless tools only in dry conditions and at an ambient temperature of 50-104°F (10-40°C).
5. Do not keep the battery charger in places where the temperature is liable to reach over 104°F (40°C). In particular, do not leave the battery charger in a car that is parked in the sunshine.
6. Protect batteries from overheating. Overloads, overcharging and exposure to direct sunlight will result in overheating and cell damage. Never charge or work with batteries that have been overheated – replace them immediately, if possible.
7. Store the charger and your cordless tool only in dry locations with an ambient temperature of 50-104°F (10-40°C). Store your lithium-ion battery pack in a cool, dry place at a temperature of 50-68°F (10-20°C). Protect the battery pack, charger and cordless tool from humidity and direct sunlight. Only place fully charged batteries in storage (charged to at least 40%).
8. Prevent the lithium-ion battery pack from freezing. Battery packs that were stored below 32°F (0°C) for more than 60 minutes must be discarded.
9. When handling batteries, be wary of electrostatic charge. Electrostatic discharges can damage the electronic protection system and the battery cells. Avoid electrostatic charging and never touch the battery poles.

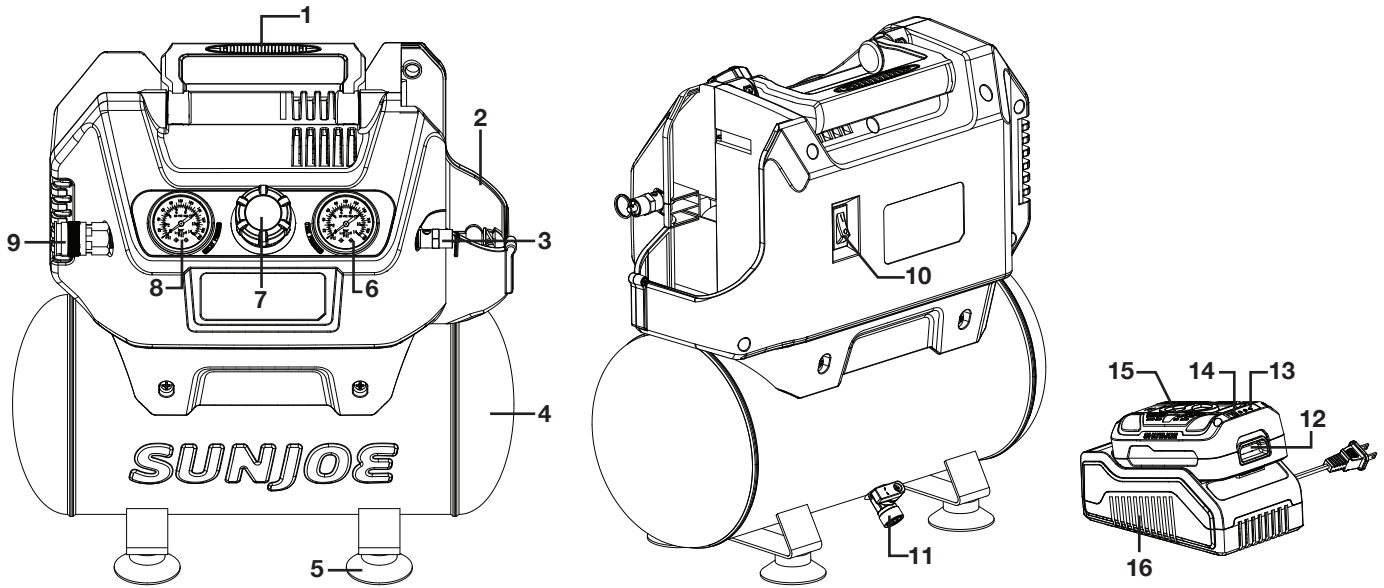
Safety Symbols

The following table depicts and describes safety symbols that may appear on this product. Read, understand, and follow all instructions on the machine before attempting to assemble and operate.

Symbols	Descriptions	Symbols	Descriptions
	READ THE OPERATOR'S MANUAL(S) – Read, understand and follow all instructions in the user manual(s) before attempting to assemble and operate.		SAFETY ALERT – Indicates a precaution, a warning or a danger.
	Keep bystanders and children a safe distance away.		WARNING! Do not expose the unit to rain or wet conditions.
	RISK OF FIRE OR EXPLOSION. Do not spray a flammable or combustible liquid or paint near sparks, flames, pilot lights or in a confined area. The spray area must be well-ventilated. Keep compressor at least 20' (6 m) away from spray area. Never smoke when spraying.		RISK OF BURSTING. Make sure the regulator is adjusted so that the compressor outlet pressure is set lower than the maximum operating pressure of the spray gun or tool. Before starting the compressor, pull the ring on the safety valve to make sure the valve moves freely. Drain water from tank after each use. Do not weld or repair tank.
	RISK OF PERSONAL INJURY. Never spray compressed air or material at self or others.		RISK OF BURNS. Do not touch the pump, the manifold or the transfer tube while the compressor is running. Allow the parts to cool down before handling or servicing.
	Wear hearing protection. Wear eye protection. Wear breathing protection.		Indoor use only. Only use battery charger indoors.

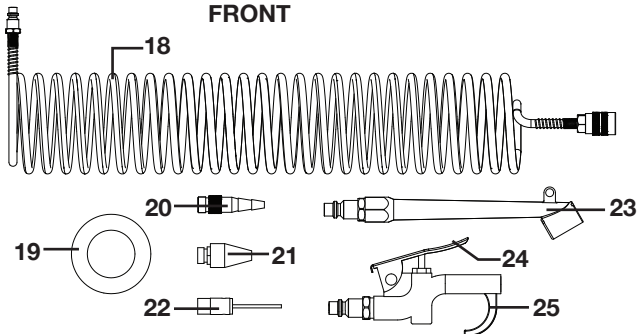
Know Your Cordless Air Compressor

Read the owner's manual and safety instructions carefully before operating cordless air compressor. Compare the illustration below to the cordless air compressor in order to familiarize yourself with the location of the various controls and adjustments. Save this manual for future reference.



FRONT

BACK



- 1. Handle
- 2. Battery compartment
- 3. Safety valve
- 4. Air tank
- 5. Supporting leg
- 6. Tank air pressure gauge
- 7. Regulator knob
- 8. Output air pressure gauge
- 9. Air outlet
- 10. On/Off switch
- 11. Air tank drain valve
- 12. Push lock button

- 13. Battery indicator
- 14. Push button for battery indicator
- 15. iONMAX iBAT40 lithium-ion battery featuring exclusive EcoSharp® technology
- 16. iONMAX iCHRG40 lithium-ion battery charger
- 17. Wrench
- 18. Air hose
- 19. Thread tape
- 20. Tapered inflation needle
- 21. Rubber blow gun nozzle
- 22. Pin inflation needle
- 23. Tire gauge
- 24. Blow gun switch
- 25. Blow gun

Unpacking

Carton Contents

- Cordless air compressor
- Air hose
- Accessory pack
- Wrench
- iONMAX 40 V 4.0 Ah lithium-ion battery
- iONMAX 40 V lithium-ion battery charger
- Manuals with registration card

1. Carefully remove the cordless air compressor and check to see that all of the above items are supplied.
2. Inspect the product carefully to make sure no breakage or damage occurred during shipping. If you find damaged or missing parts, DO NOT return the unit to the store. Please call the Snow Joe® + Sun Joe® customer service center at 1-866-SNOWJOE (1-866-766-9563).

NOTE: Do not discard the shipping carton and packaging material until you are ready to use your new cordless air compressor. The packaging is made of recyclable materials. Properly dispose of these materials in accordance with local regulations.

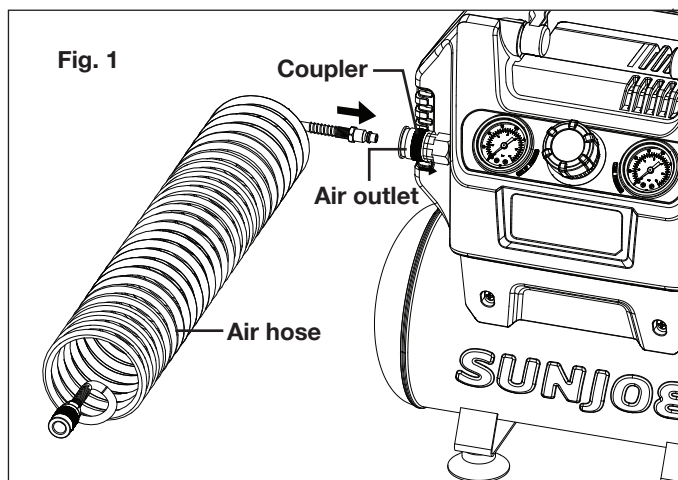
IMPORTANT! The equipment and packaging material are not toys. Do not let children play with plastic bags, foils, or small parts. These items can be swallowed and pose a suffocation risk!

Assembly

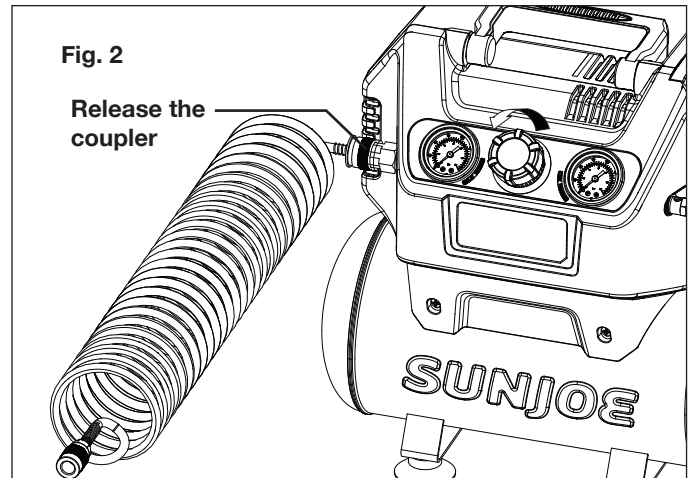
⚠ WARNING! To avoid serious personal injury, read and understand all safety instructions provided.

Attaching the Air Hose

1. Pull the air outlet coupler backwards, and insert the air hose in (Fig. 1).



2. Release the coupler, the air hose will be secured in the air outlet (Fig. 2).



3. To remove the air hose, pull the air outlet coupler backwards and pull out the air hose.





Battery Pack Operation

The equipment is powered by a lithium-ion battery. The battery pack is completely sealed and maintenance free.

Battery Charge Level Indicator

The battery pack is equipped with a push button for checking the charge level. Simply press the push button to read off the battery charge level from the LEDs of the battery indicator:

- All 3 level monitoring LEDs are lit: Battery charge level is high.
- 2 level monitoring LEDs are lit: Battery charge level is decreasing. Stop work as soon as possible.
- 1 level monitoring LED is lit: Battery is flat. Stop work IMMEDIATELY and charge the battery. Otherwise the battery's service life will be greatly shortened.

Lights	Light Indicators
	Charge level button
	The battery is at 30% capacity and requires charging
	The battery is at 60% capacity and requires charging soon
	The battery is at full capacity

NOTE: If the charge level button does not appear to be working, place the battery pack on the charger and charge as needed.

NOTE: Immediately after using the battery pack, the charge level button may display a lower charge than it will if checked a few minutes later. The battery cells "recover" some of their charge after resting.

Charger Operation

⚠ WARNING! Charge only iONMAX iBAT40 lithium-ion battery packs in compatible iONMAX iCHRG40 lithium-ion battery chargers. Other types of batteries may cause personal injury and damage.

To reduce the risk of electric shock, do not allow water to flow into the charger's AC/DC plug.

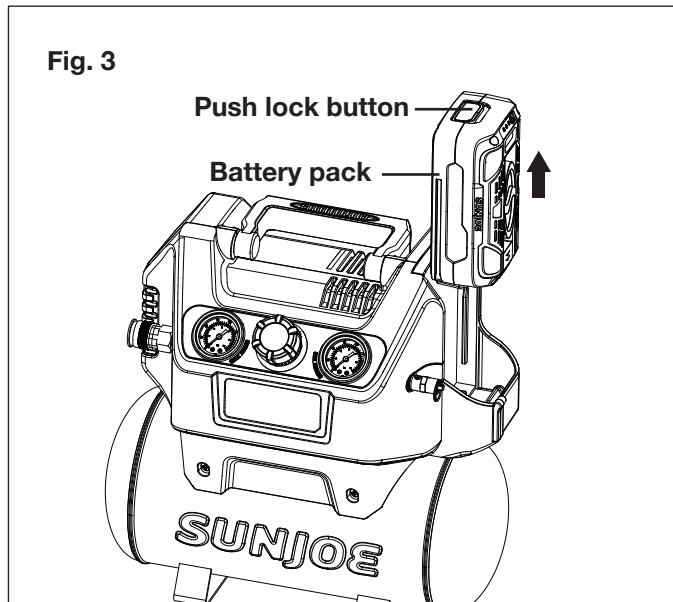
When to Charge the iONMAX iBAT40 Lithium-Ion Battery

NOTE: The iONMAX iBAT40 lithium-ion battery packs do not develop a "memory" when charged after only a partial discharge. Therefore, it is not necessary to run down the battery pack before placing it into the charger.

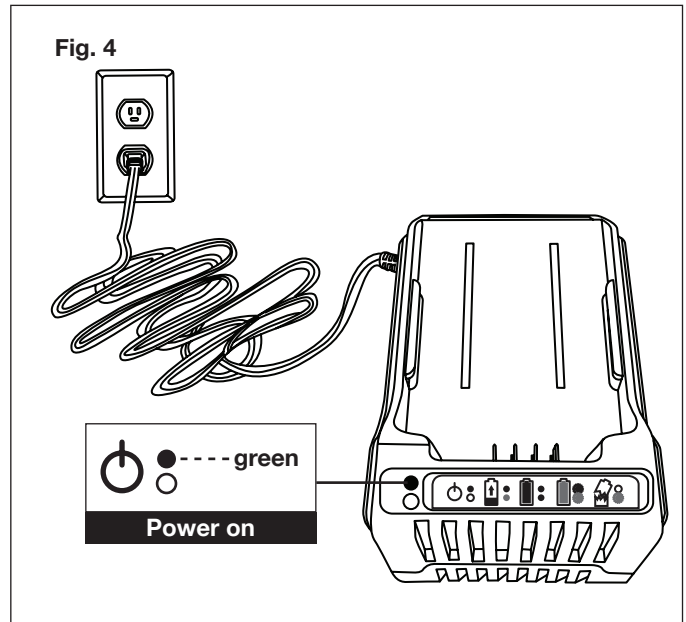
- Use the battery charge indicator lights to determine when to charge your iONMAX iBAT40 lithium-ion battery .
- You can "top-off" your battery pack's charge before starting a big job or after a long day of use.

Charging the Battery

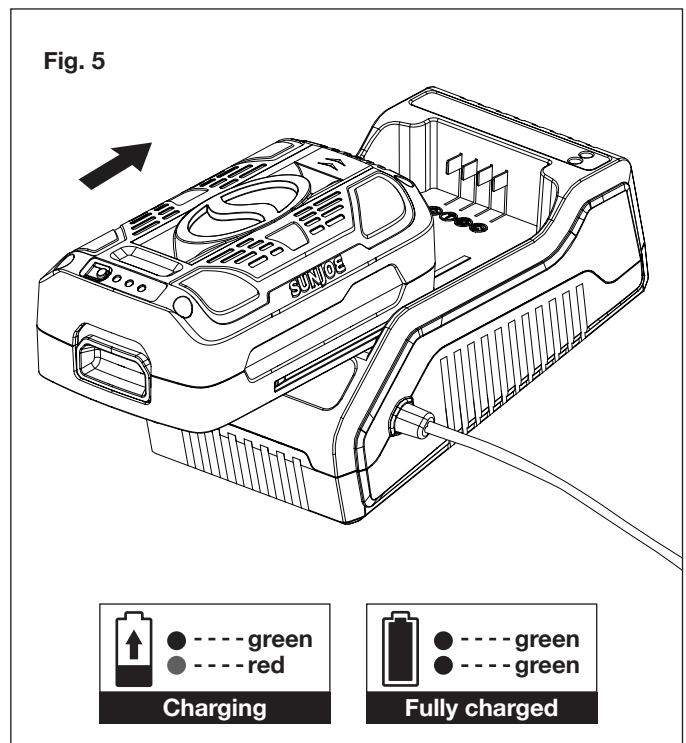
1. Pull the push lock button on the battery to pull the battery pack up and out of the equipment (Fig. 3).



2. Check that the mains voltage is the same as that marked on the rating plate of the battery charger. Then, insert the charger's plug into the electrical wall outlet. When you plug in the charger, the top green light will illuminate and stay green (Fig. 4).



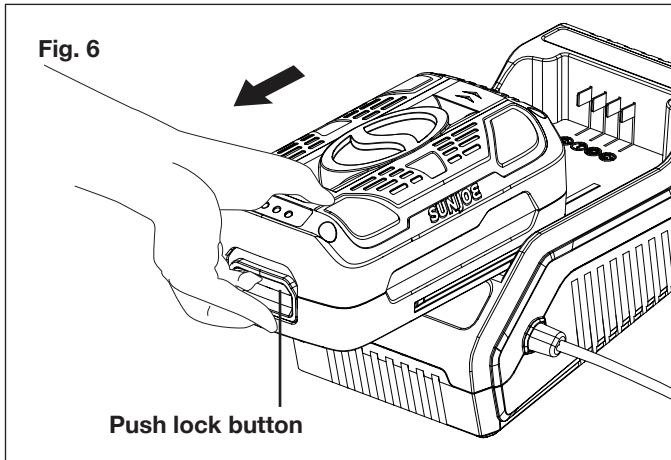
3. Place the battery pack into the charger by sliding the pack as shown to lock it into position. When you insert the battery into the charger, the bottom red light will illuminate to indicate that the battery is charging (Fig. 5).
4. When the bottom light turns green, the battery is fully charged (Fig. 5).



NOTE: If the top light remains green while the bottom light alternately flashes red and green, this indicates a temperature abnormality (i.e. that the battery pack is either too hot or too cold). If there is only a red blinking light, this indicates that something is wrong with the battery. Contact Snow Joe® + Sun Joe® customer service center at 1-866-SNOW-JOE (1-866-766-9563) for assistance.

 -- Green	 -- Flashing red/green	 --- Flashing red only
Temperature abnormal		Something is wrong

- A fully discharged pack with an internal temperature in the normal range will fully charge in 2.5 to 3 hours (between 32°F/0°C and 113°F/45°C). Heavily cycled battery packs may take longer to charge completely.
- If the charging light indicator alternately blinks red and green or the light indicator does not come on at all, check that the battery pack is fully seated into the bay. Remove the pack and reinsert. If the problem persists, contact the Snow Joe® + Sun Joe® customer service center at 1-866-SNOWJOE (1-866-766-9563) for assistance.
- When charging is complete, remove the battery from the charger by pulling the push lock button and sliding the battery backward to unlock it from the charger (Fig. 6).



- Timely recharging of the battery will help prolong the battery's life. You must recharge the battery pack when you notice a drop in the equipment's power.

IMPORTANT! Never allow the battery pack to become fully discharged as this will cause irreversible damage to the battery.

Charging a Hot or Cold Battery Pack

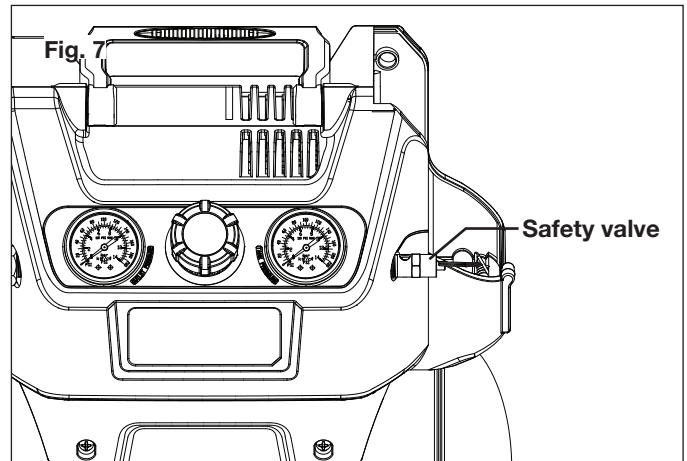
A red and green flashing indicator light on the charger indicates that the battery pack temperature is outside the charging range. Once the pack is within the acceptable range, normal charging will take place and the red light will be continuous. Hot or cold battery packs may take longer to charge.

Lithium-Ion Charging Status		
Battery Pack Temperature	Red Charger Indicator Light	Charging Status
Too hot	Flashing	Not charging
Normal range	Continuous	Normal charging
Too cold	Flashing	Not charging

Operation

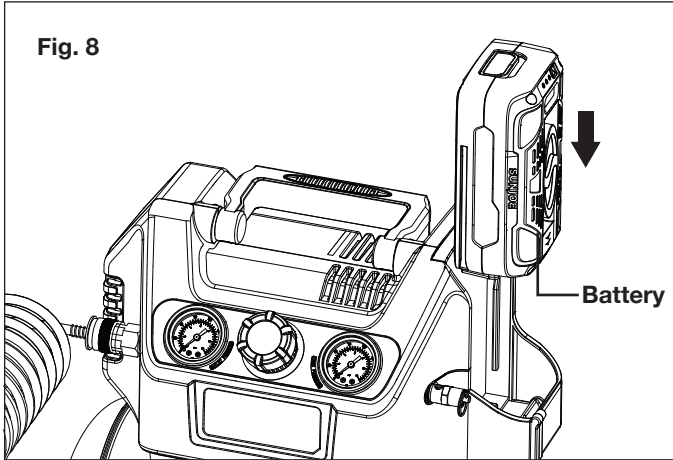
Building Tank Pressure

- Locate the air compressor on flat level surface to ensure proper pump lubrication and to prevent the damage to the unit. Keep at least 12 inches of space around the unit to allow air circulation.
- Pull out the safety valve to check if it works properly (Fig. 7).

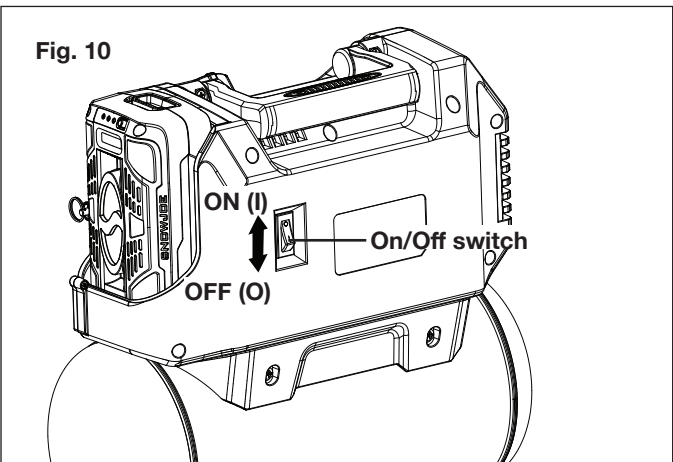
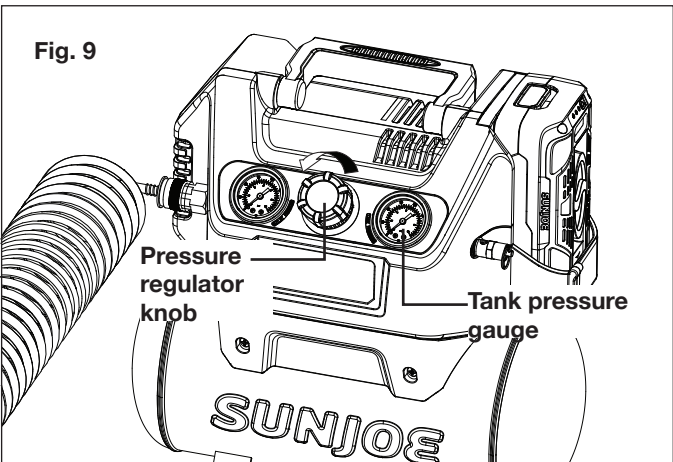


IMPORTANT! If the safety valve does not work properly, over-pressurization may occur and cause an air tank rupture or explosion. Contact the Snow Joe® + Sun Joe® customer service center at 1-866-SNOWJOE (1-866-766-9563) if the safety valve doesn't work well.

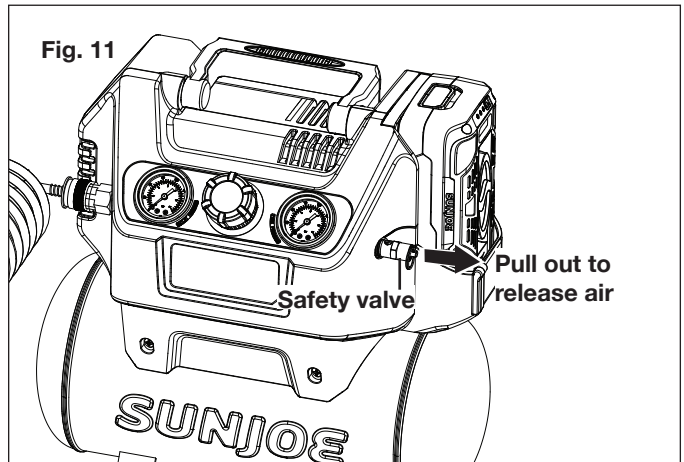
- Make sure the On/Off switch is in O (Off) position. Insert the battery (Fig. 8).



3. Make sure the air tank drain valve is closed. Turn the air pressure regulator knob counter-clockwise all the way to the end, and press the I(ON) end of the On/Off switch to allow the tank pressure to build. Check tank pressure at the tank pressure gauge (Figs. 9 – 10).



4. Stop the pressure-building process by pressing the O(OFF) end of the On/Off switch when the desired tank pressure is reached. If the air pressure exceed what you need, pull out the safety valve to release some air until it reaches the desired pressure (Fig. 11).

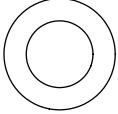

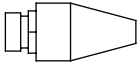

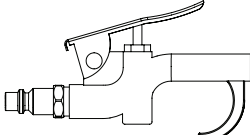



NOTE: It's recommended to build the tank air between 85 PSI and 115 PSI. The unit cannot work properly with the tank pressure lower than 85 PSI. If the tank pressure is higher than 130 PSI, the safety valve will automatically trigger to release air.

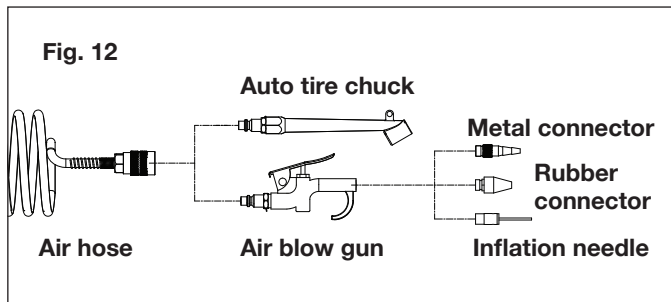
⚠ WARNING! High temperatures are generated by the electric motor and the pump. To prevent burns or other injuries, DO NOT touch the air compressor while it is running. Allow it to cool before handling or servicing. Keep children away from the air compressor at all times.

Attaching the Accessories

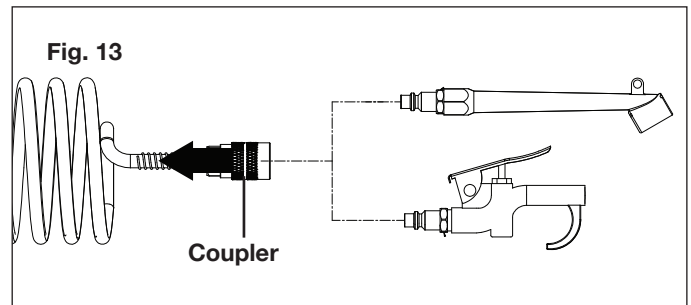
1. The unit is equipped with an accessory pack. The usage of each accessory is listed in the below form.

Accessory	Usage
 <p>Teflon tape</p>	Use to wrap every screw-on thread to ensure a proper seal
 <p>Metal connection</p>	Connected with the air blow gun. Used for cleaning dust.
 <p>Rubber connection</p>	Connected with the air blow gun. Used for cleaning dust on delicate surfaces. Rubber will prevent the delicate surfaces from being scratched.
 <p>Inflatable needle</p>	Connected with the air blow gun. Used for Inflation for ball products. e.g. basketball, football, etc.
 <p>Air blow gun</p>	Connected to the air hose and controls the air flow.
 <p>Auto tire chuck</p>	Connected to the air hose and used for inflation of vehicle tires, such as car, motorcycle, ATV.

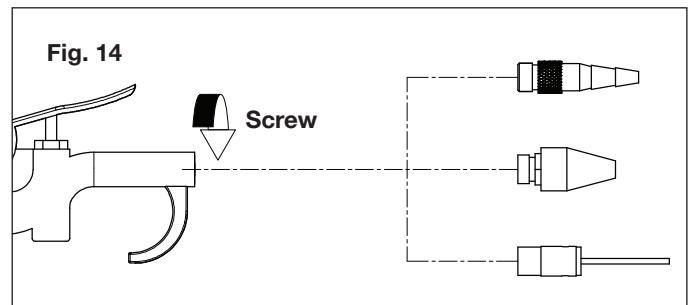
2. The accessories can be connected with the unit as indicated below (Fig. 12).



3. To connect the auto tire chuck or air blow gun to the air hose, simply pull back the coupler on the air hose, and insert the selected accessory. Release the coupler to lock the accessory (Fig. 13).



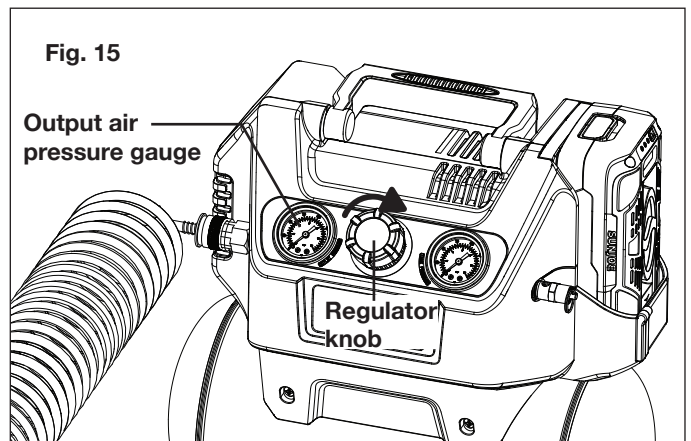
4. To connect the inflation needle/metal connection/rubber connection to the air blow gun, simply screw them on clockwise. Use the wrench provided for a secure and tight connection (Fig. 14).



5. The air compressor is ready to use.

Using the Air Compressor

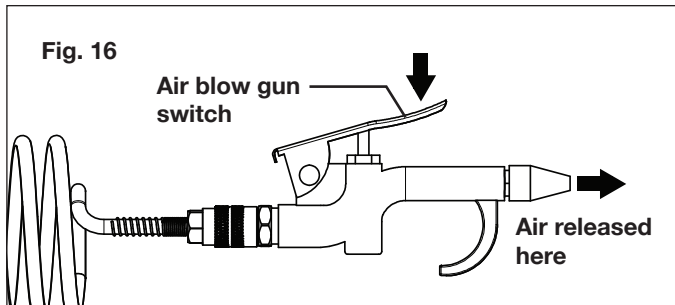
1. Turn the pressure regulator knob to adjust the output air pressure to match the working pressure you need. You can check the output pressure on the output pressure gauge (Fig. 15).



NOTE: When adjusting the output pressure, turn the knob clockwise to pass the desired setting, and then turn counterclockwise to reach the desired pressure. DO NOT exceed safety working pressure of the product that is being inflated.

NOTE: The output air pressure cannot be set higher than the tank pressure.

2. If the air blow gun is attached, press down on the air blow gun switch to release the air (Fig. 16).



3. If the auto tire chuck is attached, press it into the auto tire valve, the inflation will start immediately.

Maintenance

Regular maintenance will ensure trouble free operation. The items listed below should be inspected.

⚠ WARNING! To avoid personal injury, always shut off the unit, remove the battery, and relieve all air pressure from the system before performing any service on the air compressor.

1. Store the tool, instruction manual and accessories in a secure, dry place. In this way, you will always have the information ready at hand.
2. Remove dust and dirt regularly. Use a rag, brush or air blow gun to clean the unit.
3. Never use caustic agents to clean plastic parts.

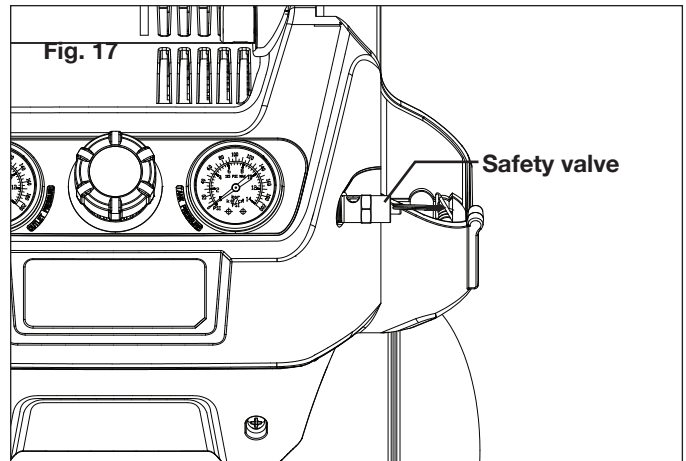
⚠ WARNING! Do not use cleaning agents to clean the plastic parts of the tool. A mild detergent on a damp cloth is recommended. Water must never come into contact with the tool.

Drain the Tank

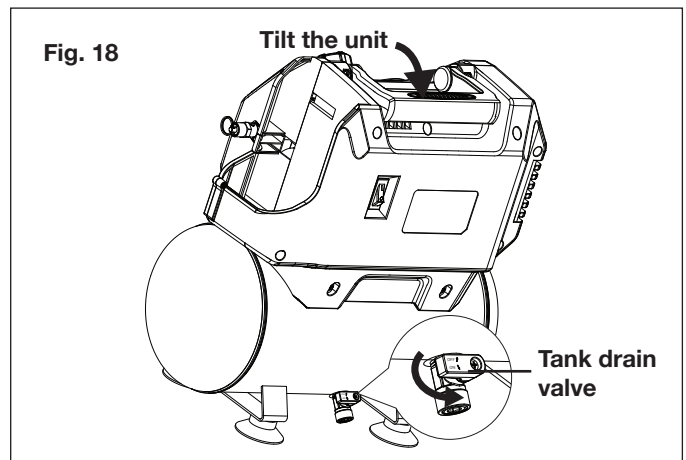
To prevent corrosion of the tank from the inside, the condensation must be drained after use every time. Be sure to wear protective goggles when draining the tank.

⚠ WARNING! Allow the unit to cool before draining the tank. The air tank drain valve will become hot during operation.

1. Press the On/Off switch on the Off (O) side, and remove the battery. Turn the pressure regulator knob counter-clockwise to set the outlet pressure to zero.
2. Pull out the safety valve to release the air in the air tank until the air tank pressure reaches zero (Fig. 17).



3. Place a suitable container under the tank drain valve in case there's any liquid. Slightly tilt the unit and turn the air tank drain valve to the ON side according to the marks on the switch, the air and moisture inside will be released (Fig. 18).



4. After the draining is complete, make sure to close the tank drain valve tightly.

Test for Leakage

Periodically check all connections are tight. Small leaks in the tank, hoses, or connections will substantially reduce the air compressor and tool performance.

To test for leakage, spray a small amount of soapy water around the area of the suspected leak with a spray bottle. If bubbles appear, repair or replace the faulty component.

⚠ WARNING! Do not over tighten any connections.

Storage

1. Examine the cordless air compressor thoroughly for worn, loose, or damaged parts. Should you need to repair or replace a part, contact an authorized Snow Joe® + Sun Joe® dealer or call the Snow Joe® + Sun Joe® customer service center at 1-866-SNOWJOE (1-866-766-9563) for assistance.
2. Use an air blow gun or a brush to clean all dust and debris from the compressor. Disconnect the air hose and all other accessories.
3. Remove the battery from the cordless air compressor before storing.
4. Drain all air and moisture from the tank.
5. Store the air compressor in a dry, well-ventilated place that is inaccessible to children. Keep away from corrosive agents.
6. In cold weather, store the air compressor in a warm building when it is not in use. This will reduce problems related to starting the motor and the freezing of water condensation.

Battery Caution + Disposal

Always dispose of your battery pack according to federal, state, and local regulations. Contact a recycling agency in your area for recycling locations.

⚠ CAUTION! Even discharged battery packs contain some energy. Before disposing, use electrical tape to cover the terminals to prevent the battery pack from shorting, which could cause a fire or explosion.

⚠ WARNING! To reduce the risk of injury or explosion, never burn or incinerate a battery pack even if it is damaged, dead, or completely discharged. When burned, toxic fumes and materials are emitted into the surrounding atmosphere.

1. Batteries vary according to device. Consult your manual for specific information.
2. Install only new batteries of the same type in your product (where applicable).
3. Failure to insert batteries in the correct polarity, as indicated in the battery compartment or manual, may shorten the life of the batteries or cause batteries to leak.
4. Do not mix old and new batteries.
5. Do not mix Alkaline, Standard (Carbon-Zinc), or Rechargeable (Nickel Cadmium, Nickel Metal Hydride, or Lithium-Ion) batteries.
6. Do not dispose of batteries in fire.
7. Batteries should be recycled or disposed of as per state and local guidelines.

Service and Support

If your Sun Joe® iONAIR-RM cordless air compressor requires service or maintenance, please call 1-866-SNOWJOE (1-866-766-9563) for assistance.

Model and Serial Numbers

When contacting the company, reordering parts, or arranging service from an authorized dealer, you will need to provide the model and serial numbers, which can be found on the decal located on the housing of the unit. Copy these numbers into the space provided below.

Record the following numbers from the housing or handle of your new product:	
Model #:	
i O N A I R - R M	
Serial #:	

iCHRG40

Federal Communications Commission (FCC)

⚠ WARNING! Any changes or modifications to this unit not expressly approved by the party responsible for compliance could void the user's authority to operate the equipment.

Class B device:

NOTE: This equipment has been tested and found to comply with the limits for a Class B digital device, pursuant to part 15 of the FCC Rules.

These limits are designed to provide reasonable protection against harmful interference in a residential installation.

This equipment generates, uses and can radiate radio frequency energy and, if not installed and used in accordance with the instructions, may cause harmful interference to radio communications.

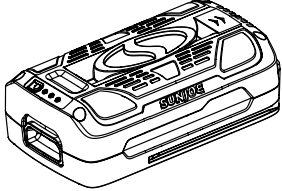
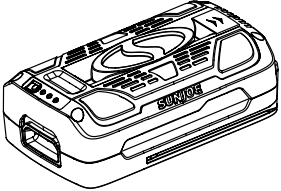
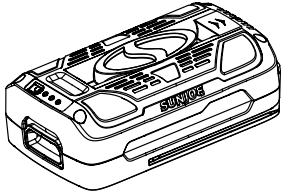
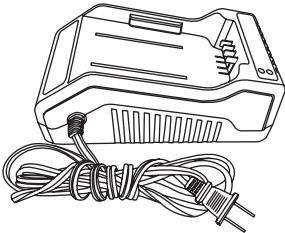
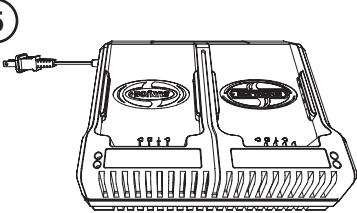
However, there is no guarantee that interference will not occur in a particular installation.

If this equipment does cause harmful interference to radio or television reception, which can be determined by turning the equipment off and on, the user is encouraged to try to correct the interference by one or more of the following measures:

- Reorient or relocate the receiving antenna.
- Increase the separation between the equipment and receiver.
- Connect the equipment into an outlet on a circuit different from that to which the receiver is connected.
- Consult the dealer or an experienced radio/TV technician for help.

Optional Accessories

⚠️ WARNING! ALWAYS use only authorized Snow Joe® + Sun Joe® replacement parts and accessories. NEVER use replacement parts or accessories that are not intended for use with this cordless air compressor. Contact Snow Joe® + Sun Joe® if you are unsure whether it is safe to use a particular replacement part or accessory with your cordless air compressor. The use of any other attachment or accessory can be dangerous and could cause injury or mechanical damage.

Accessories	Item	Model
	IONMAX 40 V 4.0 Ah Lithium-Ion Battery Battery Charge Time Max: iCHRG40: 3 hours iCHRG40-DPC: 3.5 hours Battery Run Time Max: 65 min	iBAT40
	IONMAX 40 V 5.0 Ah PRO SERIES Lithium-Ion Battery Battery Charge Time Max: iCHRG40: 3.5 hours iCHRG40-DPC: 4 hours Battery Run Time Max: 80 min	iBAT40XR
	IONMAX 40 V 6.0 Ah PRO SERIES Lithium-Ion Battery Battery Charge Time Max: iCHRG40: 5 hours iCHRG40-DPC: 5.5 hours Battery Run Time Max: 95 min	iBAT40XRP
	iONMAX 40 V Lithium-Ion Battery Charger	iCHRG40
	iONMAX 40 V Lithium-Ion Dual Port Battery Charger	iCHRG40-DPC

NOTE: Accessories are subject to change without any obligation on the part of Snow Joe® + Sun Joe® to provide notice of such changes. Accessories can be ordered online at sunjoe.com or via phone by contacting the Snow Joe® + Sun Joe® customer service center at 1-866-SNOWJOE (1-866-766-9563).

NOTES



SNOW JOE® + SUN JOE® REFURBISHED GOODS WARRANTY

GENERAL CONDITIONS:

Snow Joe® + Sun Joe® operating under Snow Joe®, LLC warrants this refurbished product to the original purchaser for 90 days against defects in material or workmanship when used for normal residential purposes. If a replacement part or product is needed, it will be sent free of charge to the original purchaser except as noted below.

The duration of this warranty applies only if the product is put to personal use around the household. It is the owner's responsibility to correctly perform all maintenance and minor adjustments explained in the owner's manual.

HOW TO OBTAIN YOUR REPLACEMENT PART OR PRODUCT:

To obtain a replacement part or product, please visit snowjoe.com/help or email us at help@snowjoe.com for instructions. Please be sure to register your unit beforehand to speed up this process. Certain products may require a serial number, typically found on the decal affixed to the housing or guard of your product. All products require a valid proof of purchase.

EXCLUSIONS:

- Wearing parts like belts, augers, chains and tines are not covered under this warranty. Wearing parts can be purchased at snowjoe.com or by calling 1-866-SNOWJOE (1-866-766-9563).
- Batteries are covered in full for 90-days from the date of purchase.

Snow Joe® + Sun Joe® may from time to time change the design of its products. Nothing contained in this warranty shall be construed as obligating Snow Joe® + Sun Joe® to incorporate such design changes into previously manufactured products, nor shall such changes be construed as an admission that previous designs were defective.

This warranty is intended to cover product defects only. Snow Joe®, LLC is not liable for indirect, incidental or consequential damages in connection with the use or misuse of the Snow Joe® + Sun Joe® products covered by this warranty. This warranty does not cover any cost or expense incurred by the purchaser in providing substitute equipment or service during reasonable periods of malfunction or non-use of this product while waiting for a replacement part or unit under this warranty. Some states do not allow exclusions of incidental or consequential damages so the above exclusions may not apply in all states. This warranty may give you specific legal rights in your state.

HOW TO REACH US:

We're here to help Monday through Friday from 9AM to 7PM EST and Saturday and Sunday 9AM to 4PM. You can reach us at 1-866-SNOWJOE (1 866-766-9563), online at snowjoe.com, via email at help@snowjoe.com or tweet us @snowjoe.

EXPORTS:

Customers who have purchased Snow Joe® + Sun Joe® products exported from the United States and Canada should contact their Snow Joe® + Sun Joe® distributor (dealer) to obtain information applicable to your country, province or state. If for any reason, you are not satisfied with the distributor's service, or if you have difficulty obtaining warranty information, contact your Snow Joe® + Sun Joe® seller. If in the event your efforts are unsatisfactory, please reach out to us directly.



sunjoe.com